

# HCW

[H]igh [C]leaning [W]ashdown – IP69K  
Aluminum NTT® «PREMIUM» motors



*Italian style and genius*

## 0,12..1,5kW



Aluminum “Hi-Cleaning” motors, for food processing, pharmaceutical and other applications requiring extreme cleanliness and frequent washdowns

The aluminum motors HCW are proposed as an alternative to the “twin” HYW series 316L, where there are no extreme conditions require solely a stainless steel solution.

They are used in food, beverage or pharmaceutical production plants where the motors - along with other parts - are often subjected to **high pressure water jets** (sometimes at high temperatures) or even more **aggressive cleaning agents**, that on the contrary can cause damage to other kind of motor, or even contaminate the end product.

The HCW range has **no cooling fins** and it is painted with an innovative “Hi-Cleaning” coating NTT® with nano particles, which makes the surface very easy to clean and resistant to major aggressive used in sanitizing. This means that waste products can be washed away easily leaving no

residue and the motor can be used with **confidence in food and or pharmaceutical processing areas.**

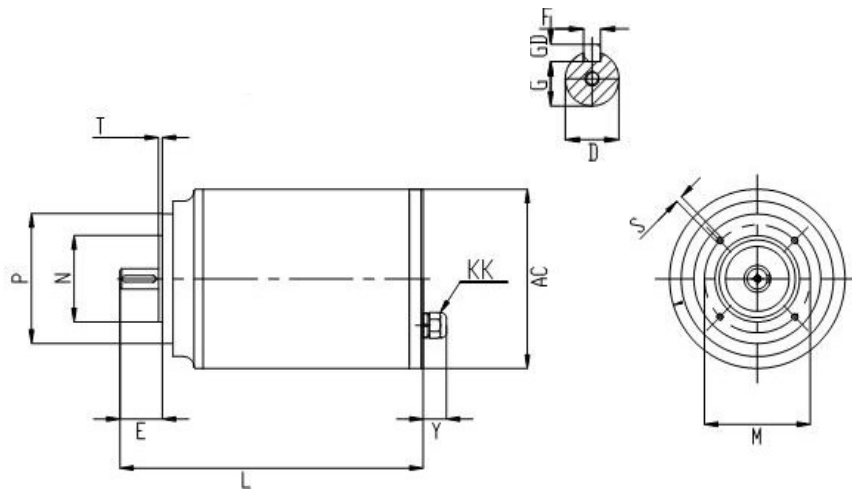
- 0,12..1,5kW – 4 poles
- IEC 63..90 B14
- IP69K degree of protection
- Class F – IC410 - DUTY S1
- aluminum «Hy-Cleaning» coating NTT®

### IE3





$P_N$ [kW]	Motor	$n_N$ [min <sup>-1</sup> ]	$M_N$ [Nm]	$I_N$ [A]	cosφ	η			$M_S/M_N$	$M_{max}/M_N$	$I_S/I_N$	$J_0$ [kg m <sup>2</sup> ]	WB14 [kg]		
						100%	75%	50%							
0,12	HCW 63 A	4	1440	0,8	0,44	0,57	-	72,0	-	-	3,5	4,5	7,5	0,0011	6,3
0,18	HCW 63 B	4	1440	1,2	0,58	0,62	-	75,0	-	-	3,5	4,5	7,5	0,0015	7,5
0,25	HCW 71 A	4	1440	1,7	0,7	0,64	-	77,0	-	-	4,0	5,0	8,0	0,0018	8,9
0,37	HCW 71 B	4	1440	2,5	1,1	0,64	-	79,0	-	-	4,0	5,0	8,0	0,0023	10,6
0,55	HCW 80 A	4	1460	3,6	1,5	0,67	-	81,0	-	-	4,5	5,4	9,0	0,0041	14,6
0,75	HCW 80 B	4	1460	4,9	2,1	0,67	IE3	82,5	80,9	77,8	4,9	5,6	8,4	0,0053	18,1
1,1	HCW 90 S	4	1460	7,2	2,9	0,70	IE3	84,1	81,8	80,7	4,8	6,0	9,0	0,0075	22,1
1,5	HCW 90 L	4	1460	9,8	4,0	0,70	IE3	85,3	83,7	83,2	4,8	6,0	9,5	0,010	27,9



Size	Bearings		CableGlands KK	IM B14					
	DE	NDE		M	N	P	R	n x S	T
63	6202 2RZ	6202 2RZ	M16X1.5	75	60 j6	90	≤0	4xM5	2,5
71	6202 2RZ	6202 2RZ	M20X1.5	85	70 j6	105	≤0	4xM6	2,5
80	6205 2RZ	6203 2RZ	M20X1.5	100	80 j6	120	≤0	4xM6	3
90S/L	6205 2RZ	6203 2RZ	M25X1.5	115	95 j6	140	≤0	4xM8	3

Size	Shaft					General		
	D	E	F	G	GD	AC	Y	L
63A	11 j6 M4	23	4	8,5	4	131	22	229
63B								244
71A	14 j6 M5	30	5	11	5	131	25	266
71B								286
80A	19 i6 M6	40	6	15,5	6	166	25	280
80B								305
90S	24 j6 M8	50	8	20	7	166	30	345
90L								390